

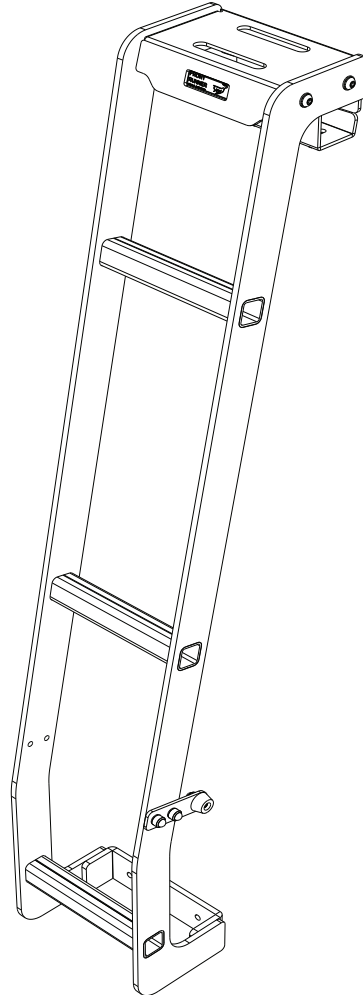


FRONT RUNNER
VEHICLE OUTFITTERS

LADDER
MERCEDES GELANDEWAGEN G CLASS

ENG

LAMG001



READ ME ! ⚠

Thank you for purchasing a Front Runner Mercedes Gelandewagen G Class Ladder.

Before you start, take a moment to familiarize yourself with the Fitting Instructions and the components received.

Refer to Page 2 for a list of all the components, quantities and tools required.

IMPORTANT WARNING! ⚠

FRONT RUNNER CAN NOT RECOMMEND A MAXIMUM LOAD CARRYING CAPACITY. PLEASE REFER TO YOUR VEHICLE MANUFACTURER'S RECOMMENDATIONS. IT IS CRITICAL THAT ALL FRONT RUNNER PRODUCTS BE PROPERLY AND SECURELY ASSEMBLED AND ATTACHED TO YOUR VEHICLE. IMPROPER ATTACHMENT COULD RESULT IN AN AUTOMOBILE ACCIDENT, AND COULD CAUSE SERIOUS BODILY INJURY OR DEATH. YOU ARE RESPONSIBLE FOR ASSEMBLING AND SECURING ALL FRONT RUNNER PRODUCTS TO YOUR VEHICLE. CHECKING THE ATTACHMENTS PRIOR TO USE, AND PERIODICALLY INSPECTING THE PRODUCTS FOR ADJUSTMENT, WEAR AND DAMAGE. THEREFORE YOU MUST READ AND UNDERSTAND ALL OF THE INSTRUCTIONS AND PRECAUTIONS SUPPLIED WITH YOUR FRONT RUNNER PRODUCT PRIOR TO INSTALLATION OR USE. IF YOU DO NOT UNDERSTAND ALL OF THE INSTRUCTIONS AND CAUTIONS, OR IF YOU HAVE NO MECHANICAL EXPERIENCE AND ARE NOT THOROUGHLY FAMILIAR WITH THE INSTALLATION PROCEDURES, YOU SHOULD HAVE THE PRODUCT INSTALLED BY A PROFESSIONAL INSTALLER OR OTHER QUALIFIED PERSONNEL.

1

GET ORGANIZED

IN THE BOX

1	1 X	Ladder
2	1 X	Bottom Clamp R
3	1 X	Top Clamp R
4	2 X	M6 x 19 x 1SS Flat Washer
5	2 X	M6 Spring Washer
6	2 X	M6 x 60 Socket Head
7	2 X	Pinch Weld 100mm

TOOLS NEEDED

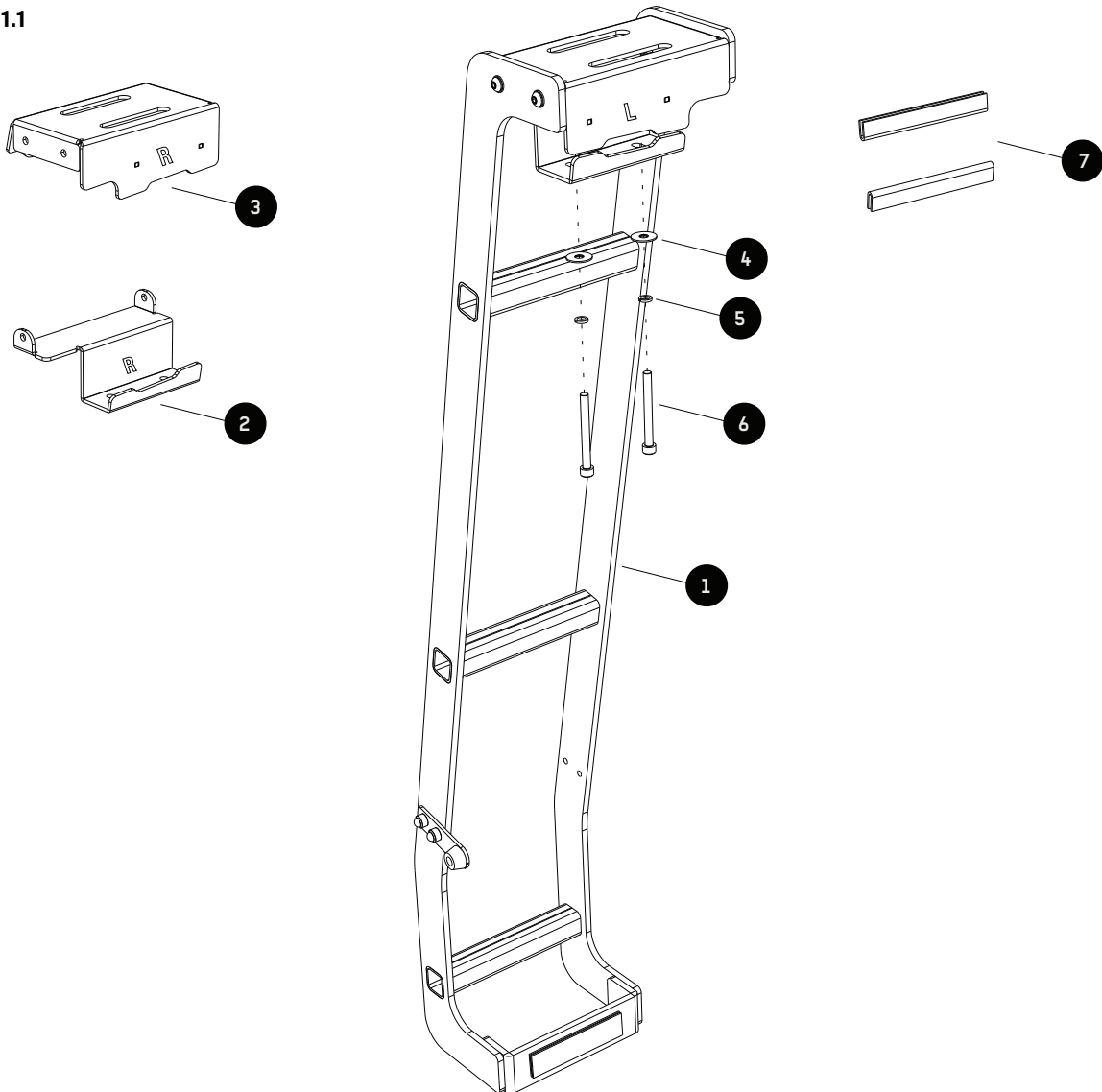


8MM
10MM



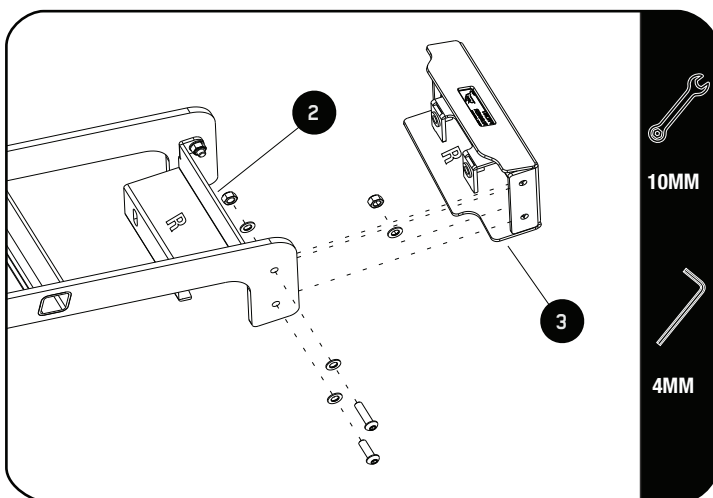
3mm
4mm
5mm

FIGURE 1.1



2 FIT AND SECURE

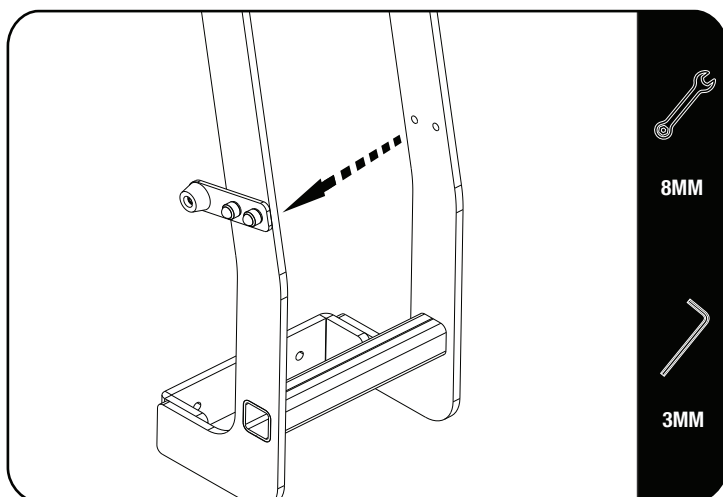
2.1



Depending to which side the vehicle's back door opens, you may need to change the top clamps of the ladder.

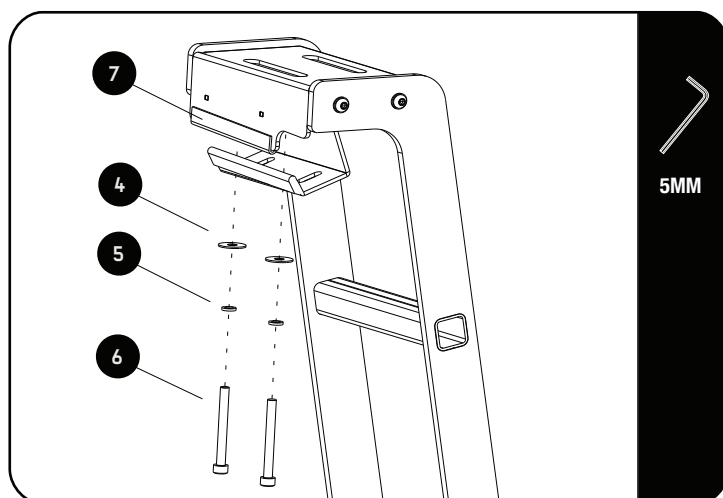
Do this by loosening the factory installed M6 Button head bolts as shown and secure Clamps "marked R" (Items 2 & 3) as shown.

2.2



You will also need to relocate the Stopper Plate to the opposite side as shown.

2.3

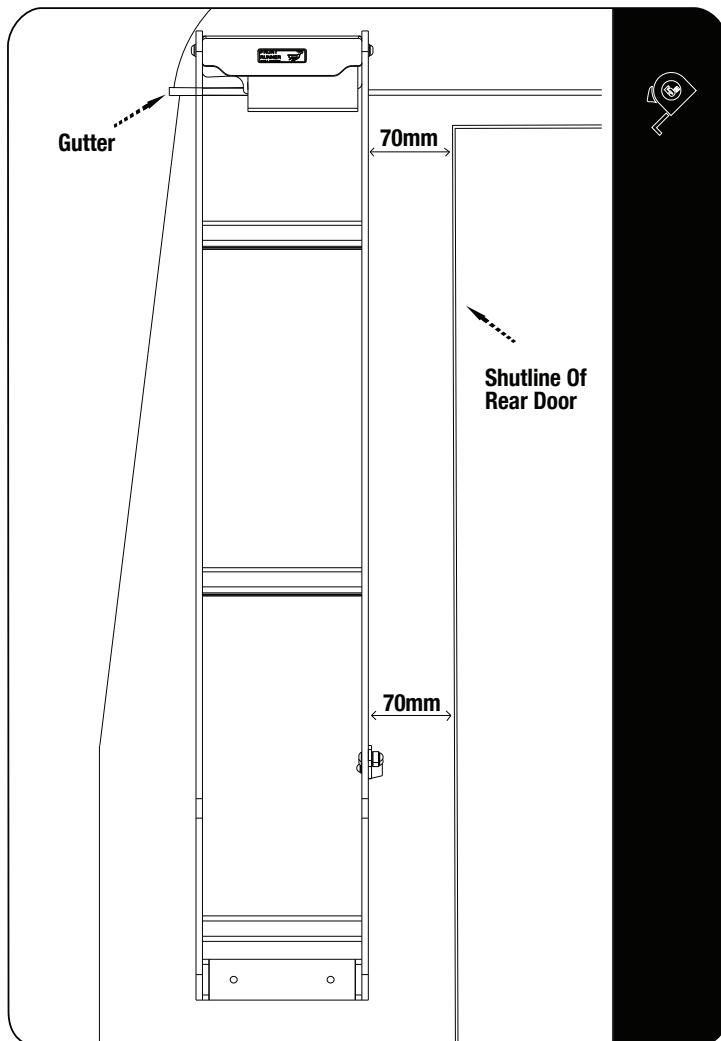


Before securing the Ladder to the vehicle, fit Pinch Weld (Item 7) to the Top and Bottom clamp (Item 2 & 3) lip as shown.

Place the Top Clamp (Item 3) into the vehicle's gutter, closing the Bottom Clamp up to the bottom of the gutter. Loosely fit the M6 x 60 Socket Head Bolts, M6 Spring Washers and M6 x 19 x 1SS Flat Washers (Items 4, 5 & 6) as shown.

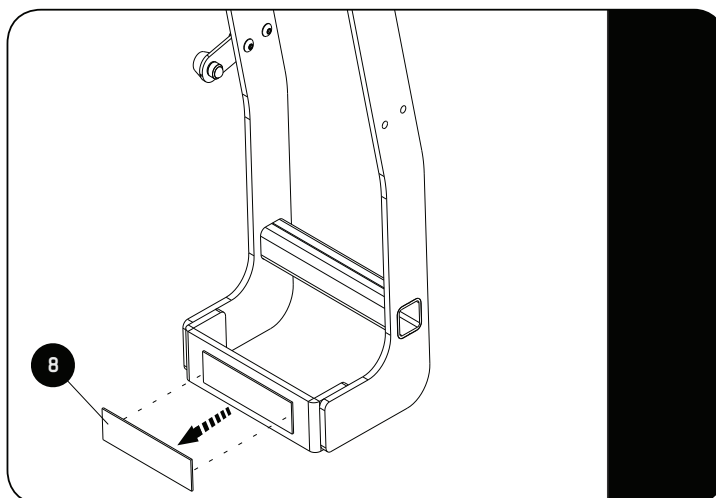
Before fully tightening refer to Step 2.4 and 2.5.

2.4



Evenly lign and space the Ladder 70mm away from the door shutline.

2.5



Before removing the protective backing on the Dual Lock Tape (Item 8) make sure that the surface where it will be adhered is clean.

Secure the bottom of the Ladder by firmly pushing it against the vehicle. Double check that the spacing is still 70mm from the shutline.

3

COMPLETION

3.1



Congratulations! You did it. Take a step back and admire your work!

4

Front Runner will not be responsible for any damage caused by the failure to install the product according to these instructions. Please call us if you have any questions about the installation of this product.

5

INSTALL OTHER VEHICLE AND RACK ACCESSORIES

Now's the time to visit your favorite Front Runner Dealer in person or Online.

Be sure to tag us. We love to see our gear in action! #FrontRunnerOutfitters #BornToRoam

Share your adventures on: 